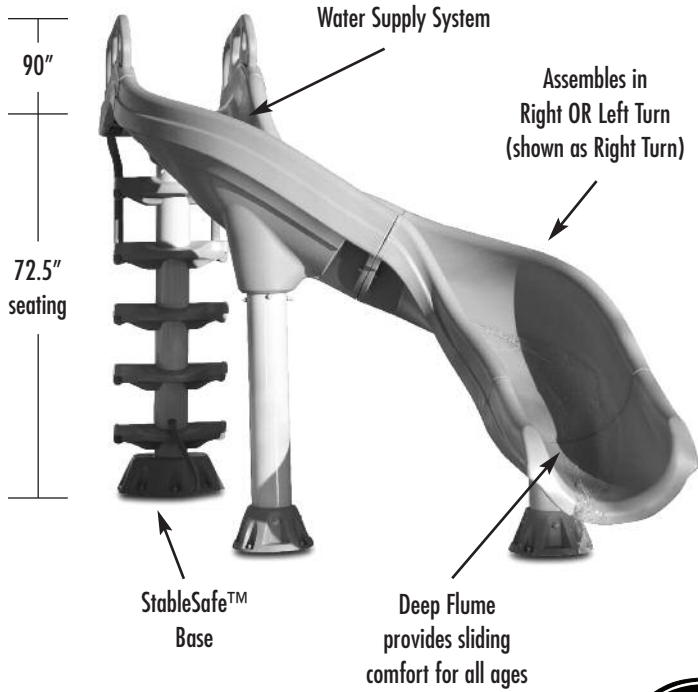


# X-STREAM 2™ SLIDE:

RESIDENTIAL SLIDES



## FEATURES:

- Rotational Molded - Polyethylene Construction on Flume, Steps, Rails & Leg Supports (PVC Legs)
- Available in Summit Gray & Desert Tan
- 1 SKU Assembles in **Right OR Left Turn**
- 72.5" High at Seating Area
- Flume Width = 22.5" (centerline)
- Flume Depth = 12.5"
- Fantastic Water Supply System
- 15-35 GPM (Actual GPM rating will vary depending on specific pool size and pool equipment used.)
- Stainless Steel Hardware
- StableSafe™ Climbing System includes Heavy Fiberglass Stability Base, Deep Slip-Resistant Treads with Toe Stops, and Grip-Around™ Handrails
- Weight Limit = 250 Lbs.
- 3 Year Warranty

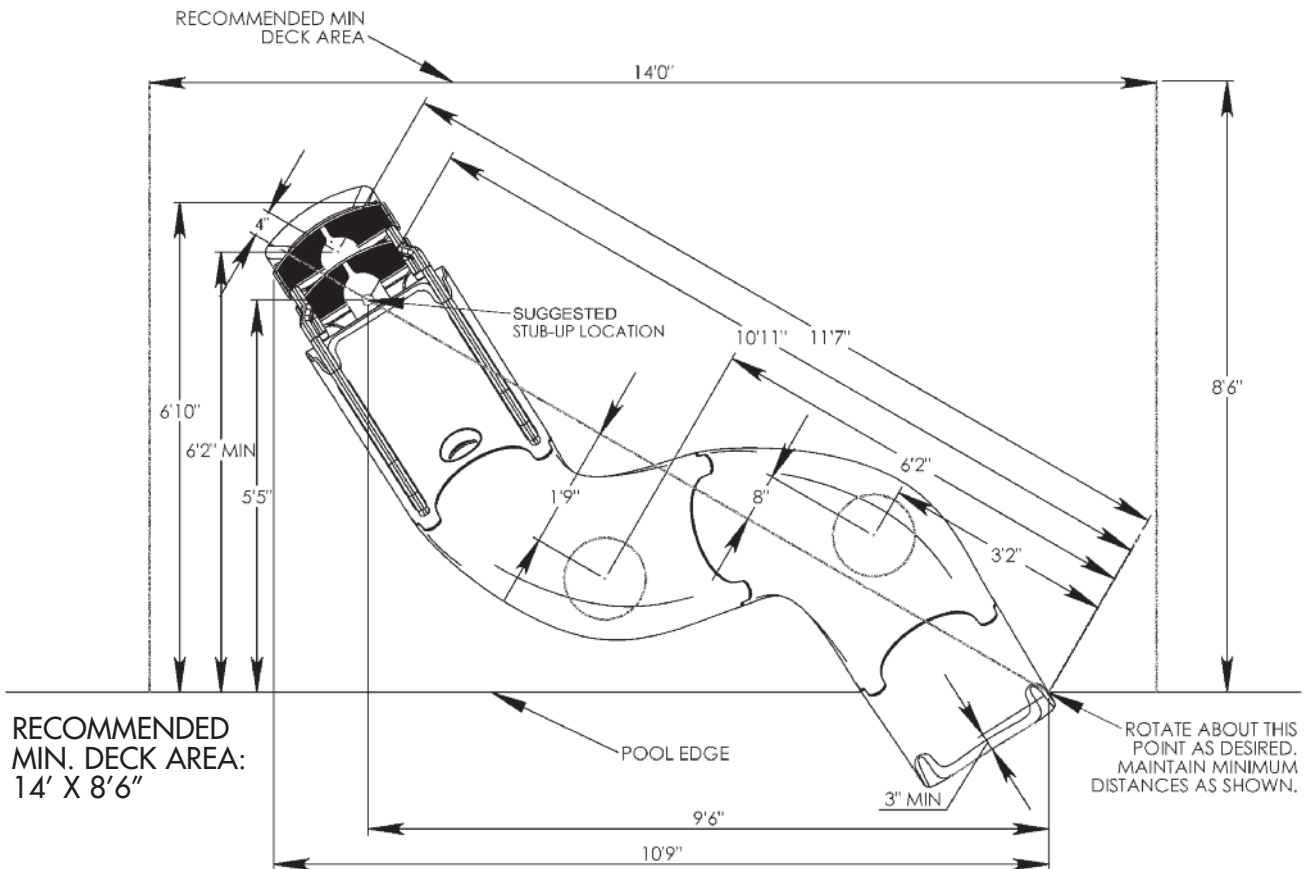
**X-Stream 2 Footprint for RIGHT Turn Slide**



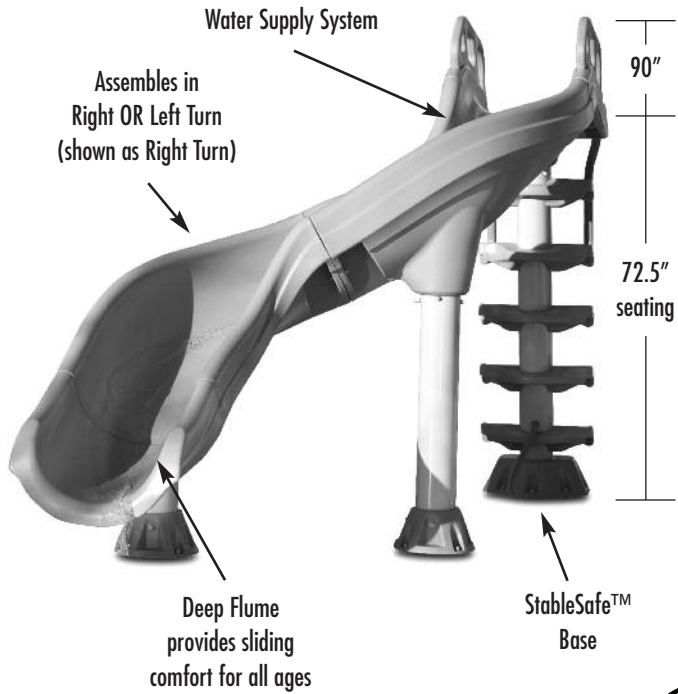
## X-STREAM 2™ SLIDE

DESCRIPTION	PART NUMBER
X-Stream Slide - right/left - gray	Part #XS-GR-SS
X-Stream Slide - right/left - tan	Part #XS-TA-SS

comes w/ss hardware



# X-STREAM 2™ SLIDE:



## FEATURES:

- Rotational Molded - Polyethylene Construction on Flume, Steps, Rails & Leg Supports (PVC Legs)
- Available in Summit Gray & Desert Tan
- 1 SKU Assembles in **Right OR Left Turn**
- 72.5" High at Seating Area
- Flume Width = 22.5" (centerline)
- Flume Depth = 12.5"
- Fantastic Water Supply System
- 15-35 GPM (Actual GPM rating will vary depending on specific pool size and pool equipment used.)
- Stainless Steel Hardware
- StableSafe™ Climbing System includes Heavy Fiberglass Stability Base, Deep Slip-Resistant Treads with Toe Stops, and Grip-Around™ Handrails
- Weight Limit = 250 Lbs.
- 3 Year Warranty

RESIDENTIAL SLIDES

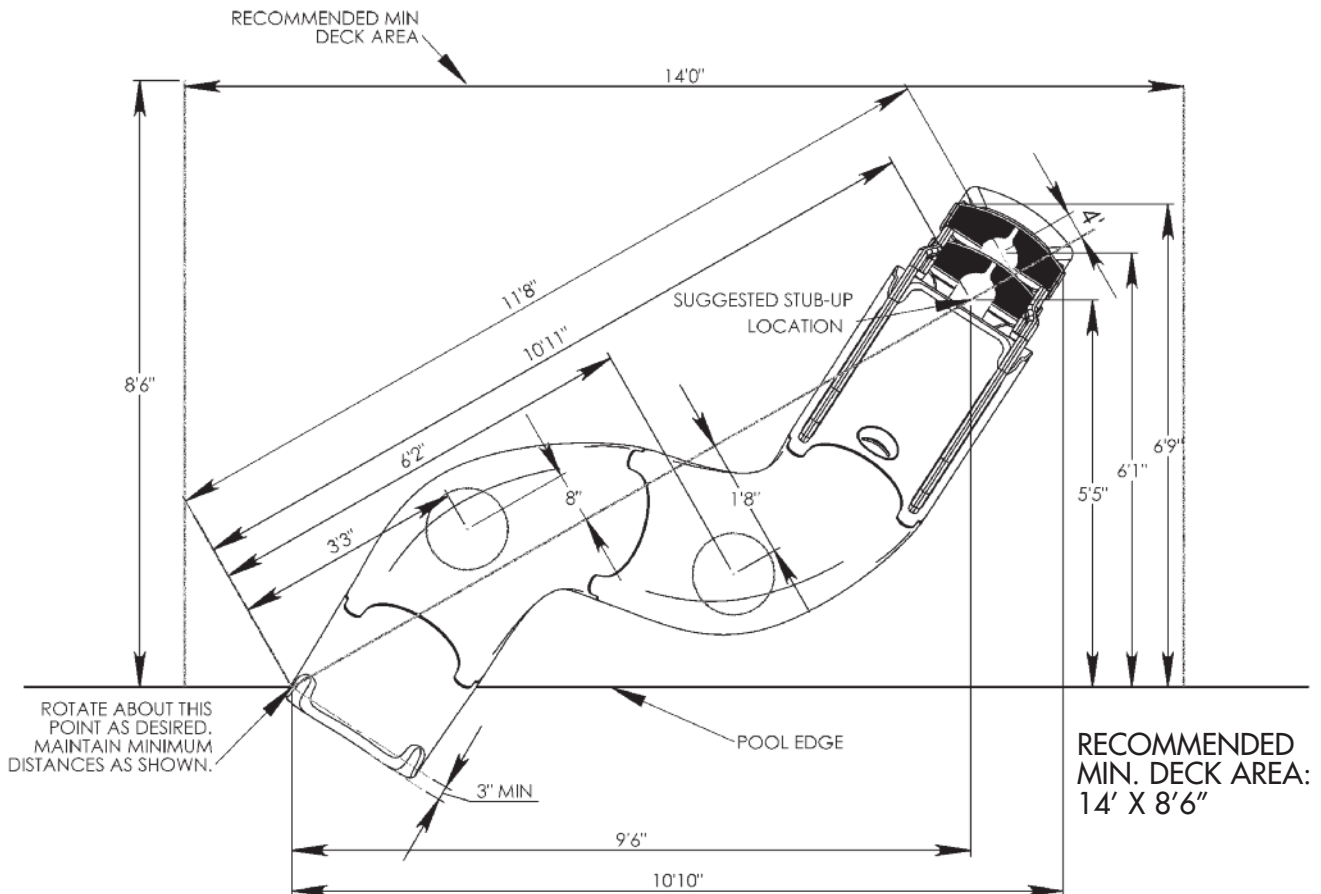
**X-Stream 2 Footprint for LEFT Turn Slide**



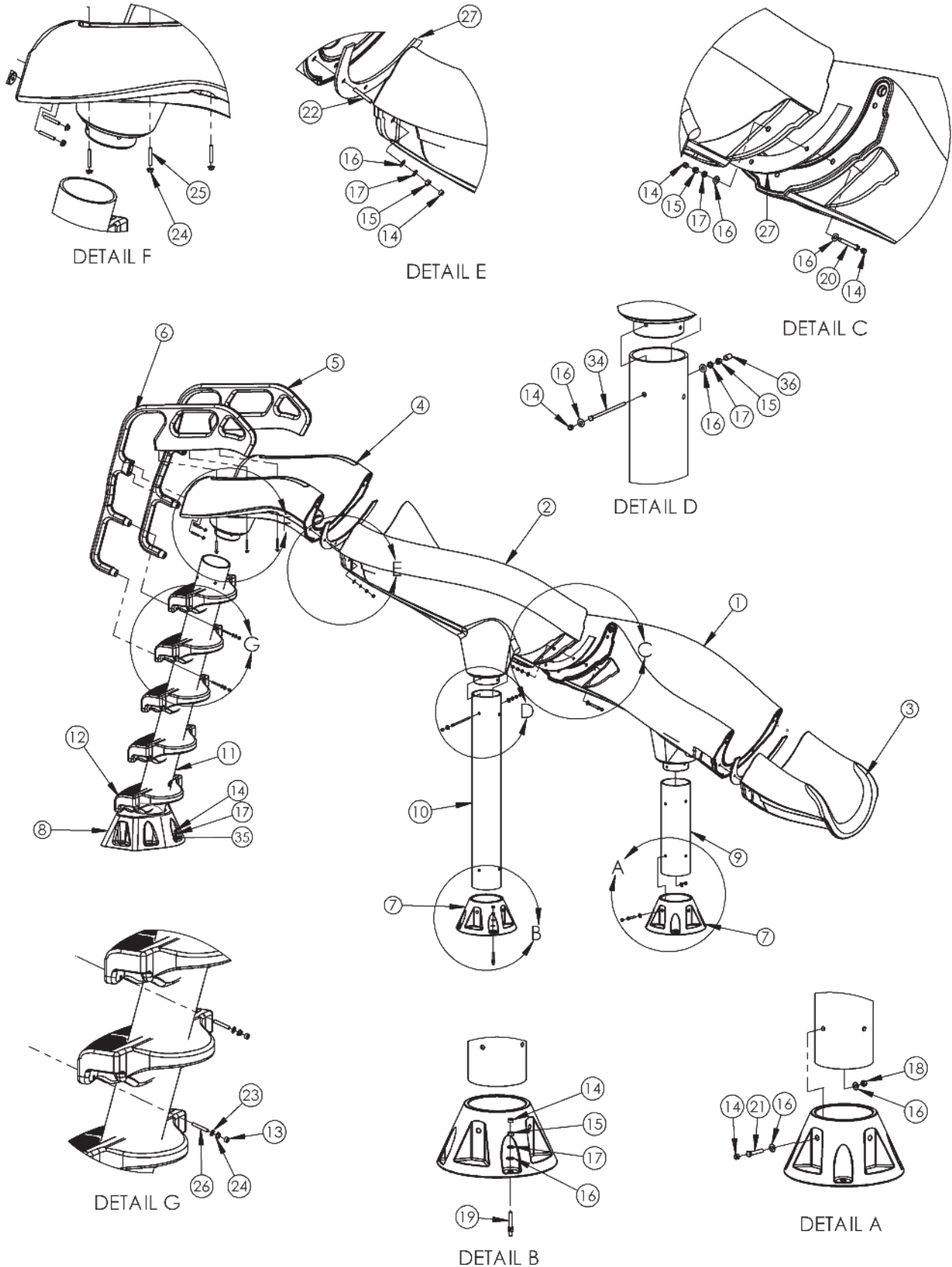
## X-STREAM 2™ SLIDE

DESCRIPTION	PART NUMBER
X-Stream Slide - right/left - gray	Part #XS-GR-SS
X-Stream Slide - right/left - tan	Part #XS-TA-SS

comes w/ss hardware



**X-STREAM 2™ SLIDE (XS-GR-SS):**



# X-STREAM 2™ SLIDE (XS-GR-SS):

ALL CHART INFORMATION BELOW CORRESPONDS WITH THE DRAWING ON THE PREVIOUS PAGE.



- XS-101-SS: PVC Leg to Foot Receiver
- XS-102-SS: Flume to Flume
- XS-103-SS: PVC Leg to Flume
- XS-104-SS: Foot Receiver to Deck
- XS-105-SS: Handrails

**DRAWING REPRESENTS THE FOLLOWING PART NUMBERS:**  
XS-GR-SS

ITEM #	COMPONENT	DESCRIPTION	HARDWARE KITS/PARTS KITS – QTY. COUNTS						
			XS-GR-SS	XS-101-SS	XS2-102-SS	XS-103-SS	XS-104-SS	XS2-105-SS	STEP ASSEMBLY
1	XS-RIGHT FLUME	A & B RIGHT HAND FLUME SECTION	1						
2	XS-LEFT FLUME	C & D LEFT HAND FLUME SECTION	1						
3	XS-TOPSIDE	TOP SIDE SECTION WITH WATER OUTLET	1						
4	XS-BOTTOM	BOTTOM SECTION	1						
5	XS-L HANDRAIL	LEFT HANDRAIL WITH X-STREAM LOGO	1						
6	XS-R HANDRAIL	RIGHT HANDRAIL WITH X-STREAM LOGO	1						
7	XS-FOOT PEDESTAL	STRAIGHT FOOT PEDESTAL	2						
8	PEDESTAL	16 DEGREE FOOT PEDESTAL							1
9	H-6 X 21.250	6" X 21.250" GRAY PVC PIPE SCHEDULE 40	1						
10	H-6 X 45.375	6" X 45.375" GRAY PVC PIPE SCHEDULE 40	1						
11	H-6 X 71.5	6" X 71.5" GRAY PVC PIPE SCHEDULE 40							1
12	XS-STEP	X-STREAM BLOW MOLDED STEP							5
13	H-.463 X .310 CAP	GRAY PROTECTIVE CAP						4	
14	H-.550X.375 G or H-.550X.375 T	GRAY OR TAN PROTECTIVE CAP **		8	25	6	13		
15	H-SS 3/8 F NUT	3/8" FINISH NUT S.S.			15	6			
16	H-SS 3/8 FLT WASHER	3/8" X 1" FLAT WASHER S.S.		16	25	12	13		
17	H-SS 3/8 LOC WASHER	3/8" LOCK WASHER S.S.			15	6	13		
18	H-SS 3/8 NYLON	3/8" NYLON INSERT NUT S.S.		8					
19	H-SS 3/8 WEDGE	3/8" X 2-3/4" WEDGE ANCHOR W/NUT & FLAT WASHER S.S.					8		
20	H-SS 3/8 X 3 TAP	3/8" X 3" HEX HEAD TAP BOLT S.S.			10				
21	H-SS 3/8-16X2	3/8" X 2" HEX HEAD BOLT S.S.		8					
22	H-SS 3/8X2-1/2	3/8" X 2-1/2" ALL-THREAD STUD S.S.			5				
23	H-SS 5/16 FLA WASHER	5/16" FLAT WASHER S.S.						4	
24	H-SS 5/16 HEX FLANGE	5/16" HEX FLANGE NUT S.S.						14	
25	H-SS 5/16 X 2	5/16" X 2" ALL-THREAD STUD S.S.						10	
26	H-SS 5/16 X 2-1/2	5/16" X 2-1/2" ALL-THREAD STUD S.S.						4	
27	H-G4C GASKET	U-SHAPED GASKET - 3 HOLES	3						
28	H-1 BALL VALVE	1" BALL VALVE-SLIP GRAY							1*
29	H-NYLON ROD 101	NAT NYLON ROL 101 .375 DIA.							5*
30	H-1 SPA HOSE	GRAY SPA HOSE FOR STEP ASSEMBLY, 10 FT. LENGTH							10 ft.*
31	XS2 WATER OUTLET	COMES AS PART OF ENTRY SECTION	1*						
32	XS-STEP COMP	COMPLETE ASSEMBLED STEP, INCLUDES ITEMS 8, 11, 12, & 29	1						
33	H-ANTI-SEIZE	ANTI-SEIZE PACKET (NOT SHOWN)							
34	H-SS 3/8 X 7-1/2	3/8" X 7-1/2" HEX HEAD BOLT				6			
35	H-SS 3/8 X 3-1/2 W	3/8" X 3-1/2" WEDGE ANCHOR W/NUT & FLAT WASHER S.S.					5		
36	H-.560X1.20 G or H-.560X1.20 T	.531" X 1" GRAY OR TAN PROTECTIVE CAP **				6			
37	H-.560X.700 G or H-.560X.700 T	VINYL CAP FOR 700 BOLT & NUT **			15				

\* not pictured

\*\* gray slide comes with gray caps and tan slide comes with tan caps

**NOTES:**

X-Stream 2 slide available in Summit Gray or Desert Tan:

XS-GR-SS (Summit Gray)

XS-TA-SS (Desert Tan)

X-Stream 2 can turn to the right or the left

Check your local electrical code for bonding requirements.

RESIDENTIAL SLIDES